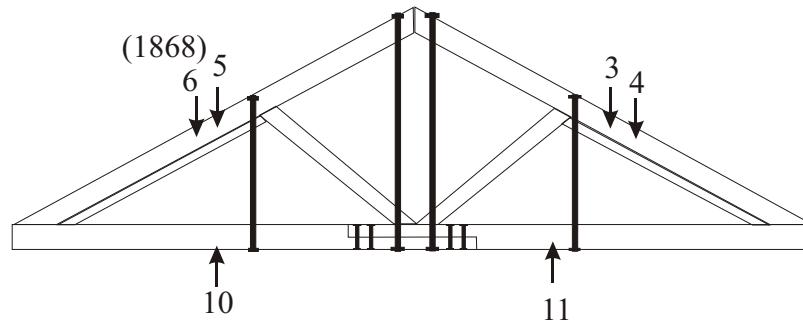


Scott Bridge, Towshend Vermont

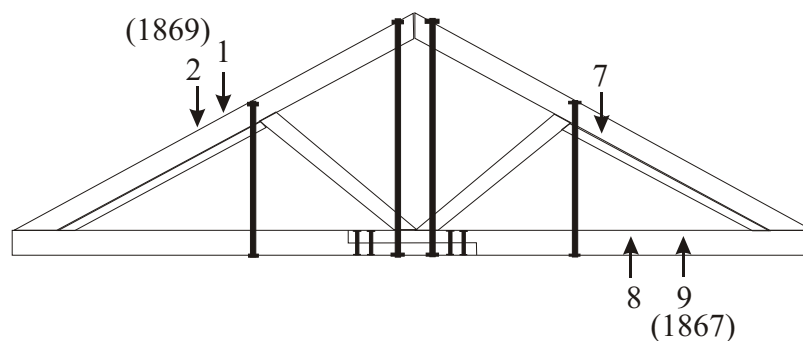


Samples from Scott Bridge, Townshend Vermont July, 1999

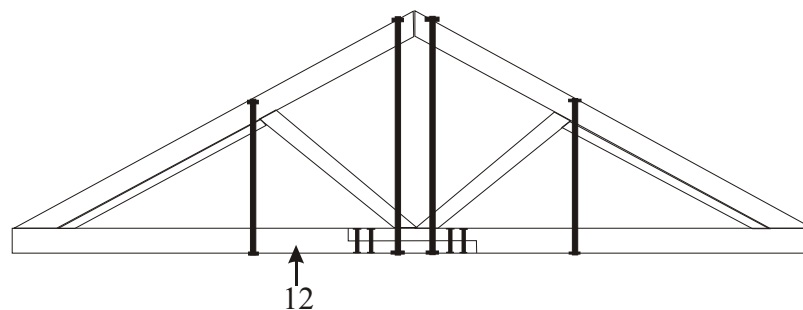
North side, outer truss



South side, outer truss



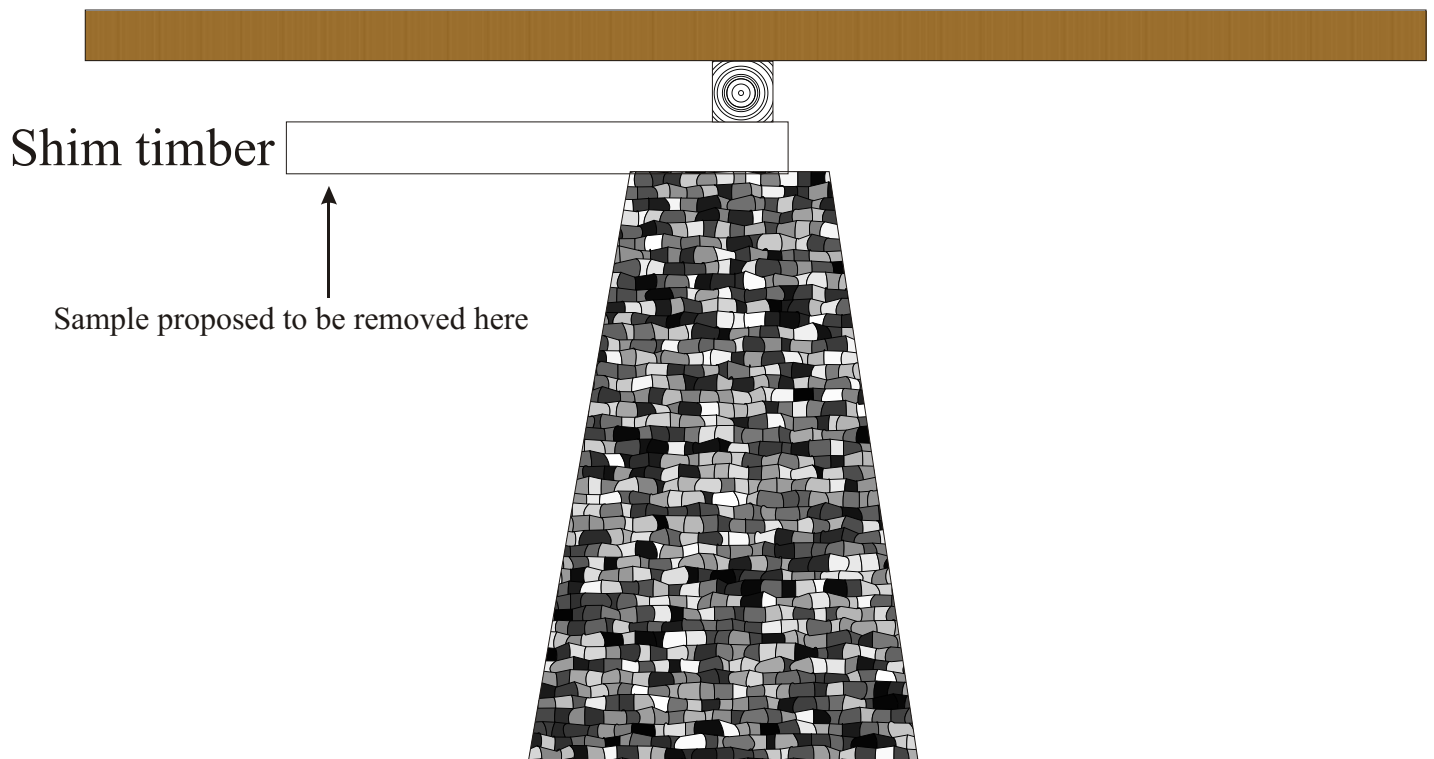
North side, inner truss



Trusses at the West end of the bridge have hand-hewn main timbers that may be re-used from an earlier structure (perhaps the bridge damaged in 1869 that this one replaced). The inner trusses have only hand-hewn bottom chords, with the upper members sawn. Twelve 1/2" cores of varying length were removed from the approximate positions shown, plugged with a cork and labeled. Drawing is not to scale.

Subsequent dating of the samples showed that all were timbers cut for the current structure around the time of the flood.

Main bridge structure



This suggested sampling was never done. The wood has some importance in its own right, but the dating of the timbers is no longer in question.